

## PRO-UA430

### Adapters Track System



### 3-circuit Ultimate Adapter



Product code White (RAL 9010)  
EAN code White

PRO-UA430-W  
8719747934012

Product code Grey (RAL 7040)  
EAN code Grey

PRO-UA430-S  
719747934029

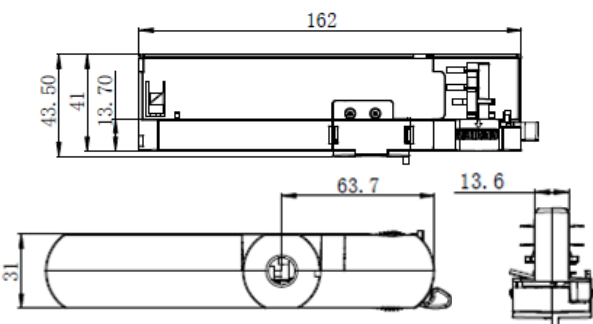
Product code Black (RAL 9011)  
EAN code Black

PRO-UA430-B  
8719747934036

Main materials  
Net weight per piece  
Inner box / outer box  
Rated voltage per circuit

PC UL94VO + Copper  
110 g  
1 / 50 pcs  
220V – 240V

### Dimensions



### Specifications

Flicker Free, Ripple Free  
Input: 220-240Vac, 50/60Hz  
Output: 25V-42Vdc  
Certificate: ENEC, CE  
Lifetime: 50.000 hours  
Fmax: 50N  
Warranty: 5 years

### DIP-Switch

PRO-UA430	1	2	Power
600mA	○	○	25W
700mA	○	●	29W
750mA	●	○	32W
800mA	●	●	34W

Excluding nipple!

ON THE RIGHT TRACK

