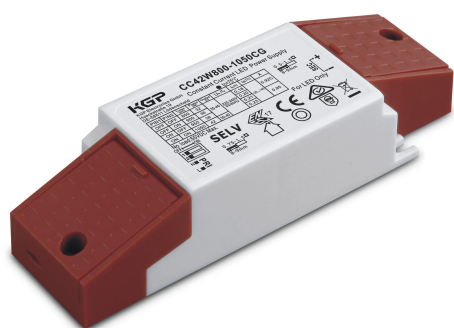


CC21W250-500CG/CC30W500-700CG/CC42W800-1050CG



Constant Current Driver

Model: CC30W500-700CG



Model	Output Current	Input Current	Input Power	Output Power Range	PF	Efficiency	Output Voltage	No load Voltage
CC30W500-700CG	500mA	0.12A	23.5W	12.5-21W	0.92	87%	25-42V	55V
	600mA	0.14A	28.3W	15-25.2W				
	650mA	0.15A	30.6W	16.25-27.3W	0.95	88%		
	700mA	0.16A	33W	17.5-29.4W				

* Test result @230V, 50Hz, Full Load.

1. Parameters

category	Item	Technical Norm
Features	Output Type	Constant Current
	IP Grade	IP20
	Insulation Class	Class II
Input	Rated Input Voltage	220-240VAC
	Range of Input Voltage	198-264VAC
	Frequency	50/60Hz
	Input Current	≤0.28A (198VAC, full load)
	Input Power	≤49W (230VAC, full load)
	Power Factor	≥0.92 (230VAC, full load)
	THD	≤15% (230VAC, full load)
	No-load Power Consumption	≤0.5W @230VAC
	Inrush Current :	CC21W250-500CG ≤ 20A/400us (230VAC, Full-load) CC30W500-700CG ≤40A/400us (230VAC, Full-load)

CC21W250-500CG/CC30W500-700CG/CC42W800-1050CG

	CC42W800-1050CG	≤35A/400us (230VAC, Full-load)
	Connected quantity of 16A Breaker : CC21W250-500CG CC30W500-700CG CC42W800-1050CG	36pcs/type B ; 60pcs/type C @ 230Vac 18pcs/type B ; 30pcs/type C @ 230Vac 21pcs/type B ; 35pcs/type C @ 230Vac
Output	Current Accuracy	±5%
	Max. Output Power	42W
	Started Delay Time	≤0.5S (230VAC, full load)
	Current Ripple	±5% (Imax-Imin) / (Imax+Imin)
Protection	Short Circuit Protection	Auto Recovery
	Overload Protection	Auto Recovery
	No-load Protection	Auto Recovery
	Insulation voltage	I/P to O/P , 3KVac/1min
	Insulation resistance	>100M ohm @ 500VDC
	Leakage current	I/P to O/P < 250 μ A
Environment	Ta/Operation Temperature	21W,30W: -20...+50℃; 42W: -20...+45℃
	Ts/Storage Temperature	-10....+75℃
	Tc/Enclosure Temperature	75 ℃
	Humidity	10%....90%RH
	Atmosphere	86-108KPa
Construction	Connection Method	Push-in Terminal
	Installation	Build-in & Independent
	PRI Wire preparation	0.75-1.5 [□]
	SEC Wire preparation	0.5-1.5 [□]
	Dimension	Independent:137.6*44*30mm (L*W*H) Built in:97.8*44*30mm(L*W*H)
Standards	Certification	ENEC/CE/SAA
	Safety Standards	EN61347-1:2015,EN61347-2-13:2014/A1:2017,EN62493:2015,AS/NZSIEC61347.2.13:2013,AS/NZS 61347.1:2016
	EMC Standards	EN55015:2013/A1:2015,EN61000-3-2:2014,EN61000-3-3:2013,EN61547:2009
	Performance	EN62384
	Surge	L-N/2KV
Others	RoHS	Complied to 2011/65/EU
	Life Time	50000h @45/50℃ (Ta) / 75℃ (Tc)
	Warranty	5years , F.R. <10000ppm
<p>Remark: 1.All Parameters, if not specified, are measured at 230VAC/50Hz and 25℃ ambient temperature. 2.LED Driver is a component of the luminaires. Luminaires and wire layout will affect the EMC, please check the EMC with end products again.</p>		

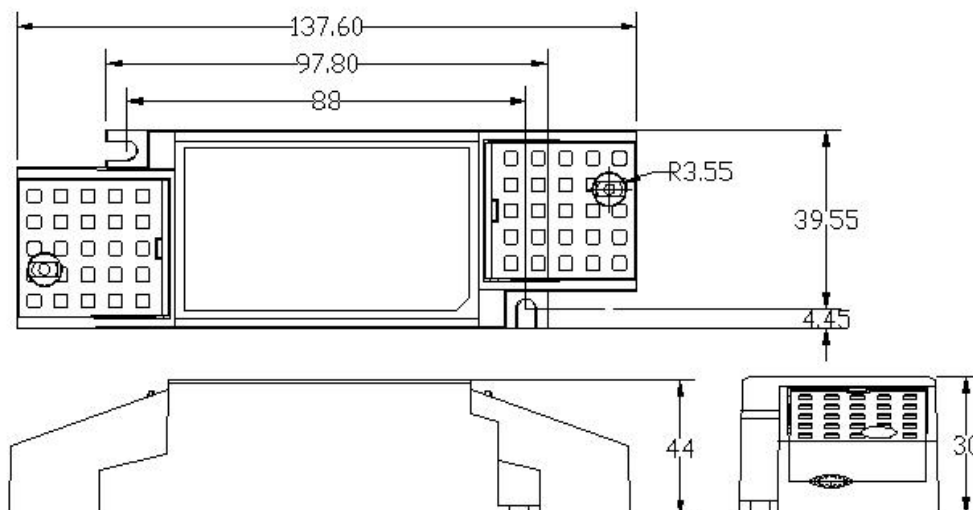
CC21W250-500CG/CC30W500-700CG/CC42W800-1050CG

2. Label

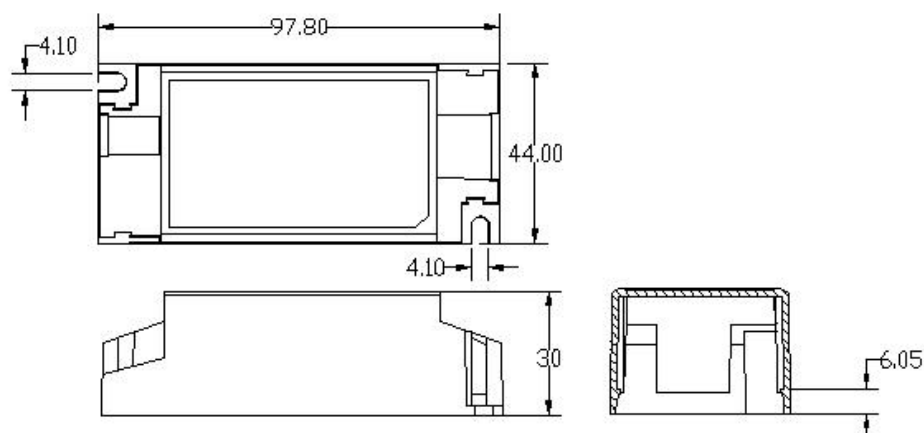


3. Dimension (Unit: mm)

Independent type:



Built in type:



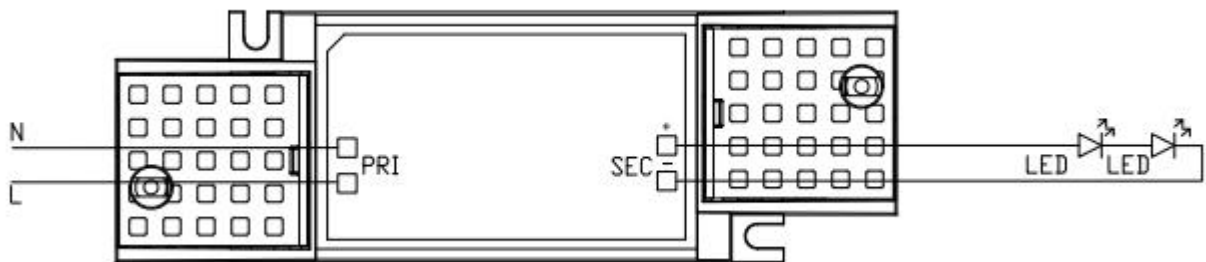
CC21W250-500CG/CC30W500-700CG/CC42W800-1050CG

4. Packing information

Carton L*W*H(mm)	Pcs/Carton	Net weight/ Pcs(kg)	Net weight/ Carton(kg)	Gross weight / Carton(kg)
450*240*200	85	0.124	10.54	11.29

5. Wiring Diagram

Independent type:



Built in type:

