



Constant Current Driver



Model	Output Current	Input Current	Input Power	Output Power Range	PF	Efficiency	Output Voltage	No load Voltage
SC42W300-1050CG-4	300mA	0.07A	15.4W	3.00-12.60W	0.89	82%	10-42V	55V
	350mA	0.08A	17.9W	3.50-14.70W	0.89	82%	10-42V	55V
	400mA	0.09A	20.5W	4.00-16.80W	0.9	82%	10-42V	55V
	450mA	0.10A	22.8W	4.50-18.90W	0.9	83%	10-42V	55V
	500mA	0.11A	25.3W	5.00-21.00W	0.9	83%	10-42V	55V
	550mA	0.12A	27.8W	5.50-23.10W	0.9	83%	10-42V	55V
	600mA	0.14A	30.4W	6.00-25.20W	0.92	83%	10-42V	55V
	650mA	0.15A	32.5W	6.50-27.30W	0.92	84%	10-42V	55V
	700mA	0.16A	35W	7.00-29.40W	0.92	84%	10-42V	55V
	750mA	0.17A	37.5W	7.50-31.50W	0.92	84%	10-42V	55V
	800mA	0.18A	40W	8.00-33.60W	0.92	84%	10-42V	55V
	850mA	0.18A	40W	8.50-34.00W	0.92	85%	10-40V	55V
	900mA	0.2A	42.4W	9.00-36.00W	0.92	85%	10-40V	55V
	950mA	0.2A	44.7W	9.50-38.00W	0.92	85%	10-40V	55V
	1000mA	0.23A	46.5W	10.00-40.00W	0.92	86%	10-40V	55V
	1050mA	0.25A	48.8W	10.50-42.00W	0.92	86%	10-40V	55V

* Test result @230V, 50Hz, Full Load.

1. Parameters

category	Item	Technical Norm
Features	Output Type	Constant Current
	Output Features	Isolation
	IP Grade	IP20
	Insulation Class	Class II
Input	Rated Input Voltage	220-240VAC
	Range of Input Voltage	176-264VAC or 176-280VDC
	Frequency	50/60Hz
	Input Current	≤0.28A (230VAC, full load)
	Input Power	≤48.8W (230VAC, full load)
	Power Factor	≥0.92 (230VAC, full load)
	THD	≤20% (230VAC, full load)

	No-load Power Consumption	≤0.5W @230VAC
	Inrush Current	≤18A/2.8us (230VAC, full load)
	Connected quantity of 16A Breaker	27pcs/type B ; 44pcs / type C @ 230Vac
Output	Output Voltage Range	10-42VDC@300-800mA 10-40VDC@850-1050mA
	No Load Voltage	55VDC Max.
	Output Current	300mA -1050mA (Max. output)
	Max. Output Power	42W
	Efficiency	≥86% (230VAC, full load)
	Current Ripple	±3% (Imax-Imin) / (Imax+Imin)
	Current Accuracy	±5%
	Started Delay Time	≤0.5S (230VAC, full load)
Protection	Short Circuit Protection	Auto Recovery
	Overload Protection	Auto Recovery
	No-load Protection	Auto Recovery
	Insulation voltage	3000V 5mA 60S between P-S
	Insulation resistance	>100M ohm @ 500VDC
	Leakage current	< 250μA, I/P to O/P or I/P to PE @230V input
Environment	Ta/Operation Temperature	-20....+35℃
	Ts/Storage Temperature	-40....+85℃
	Tc/Enclosure Temperature	85℃
	Humidity	10%....90%RH
	Atmospheric pressure	86-108KPa
Construction	Connection Method	Push-in Terminal
	Installation	Independent
	PRI Wire preparation	0.75-1.5 [□]
	SEC Wire preparation	0.5-1.5 [□]
	Dimension	250 x 31 x 45mm (L*W*H)
Standards	Certification	CE ENEC SAA
	Safety Standards	EN61347-1:2015,EN61347-2-13:2014/A1:2017, AS 61347.2.13:2018,AS/NZS 61347.1:2016 Inc A1
	EMC Standards	EN55015:2013/A1:2015,EN61000-3-2:2014, EN61000-3-3:2013,EN61547:2009
	Performance	EN62384
	Surge	L-N/2KV
Others	RoHS	complied to 2011/65/EU
	Life Time	50000h @Ta/ Tc
	Warranty	5years , F.R. < 10000ppm
<p>Remark: 1.All Parameters, if not specified, are measured at 230VAC/50Hz and 25℃ ambient temperature. 2.LED Driver is a component of the luminaires, Luminaires and wire layout will affect the EMC, please check the EMC with end products again.</p>		

2. Output Current Setting

Output Current	1	2	3	4
300mA	-	-	-	-
350mA	-	-	-	ON
400mA	-	-	ON	-
450mA	-	-	ON	ON
500mA	-	ON	-	-
550mA	-	ON	-	ON
600mA	-	ON	ON	-
650mA	-	ON	ON	ON
700mA	ON	-	-	-
750mA	ON	-	-	ON
800mA	ON	-	ON	-
850mA	ON	-	ON	ON
900mA	ON	ON	-	-
950mA	ON	ON	-	ON
1000mA	ON	ON	ON	-
1050mA	ON	ON	ON	ON

3. Label

KGP
KGP Electronics GmbH
Hueckstraße 19
DE-58511 Lüdenscheid

SC42W300-1050CG-4
Constant Current Lighting track adaptors

CE, ENEC, EAC, RoHS, SELV

PRI:220-240Vac 50/60Hz I_{max}:0.24A
SEC:300-800mA 10-42Vdc
850-1050mA 10-40Vdc
NO load:55Vdc Max.42W
For LED modules only

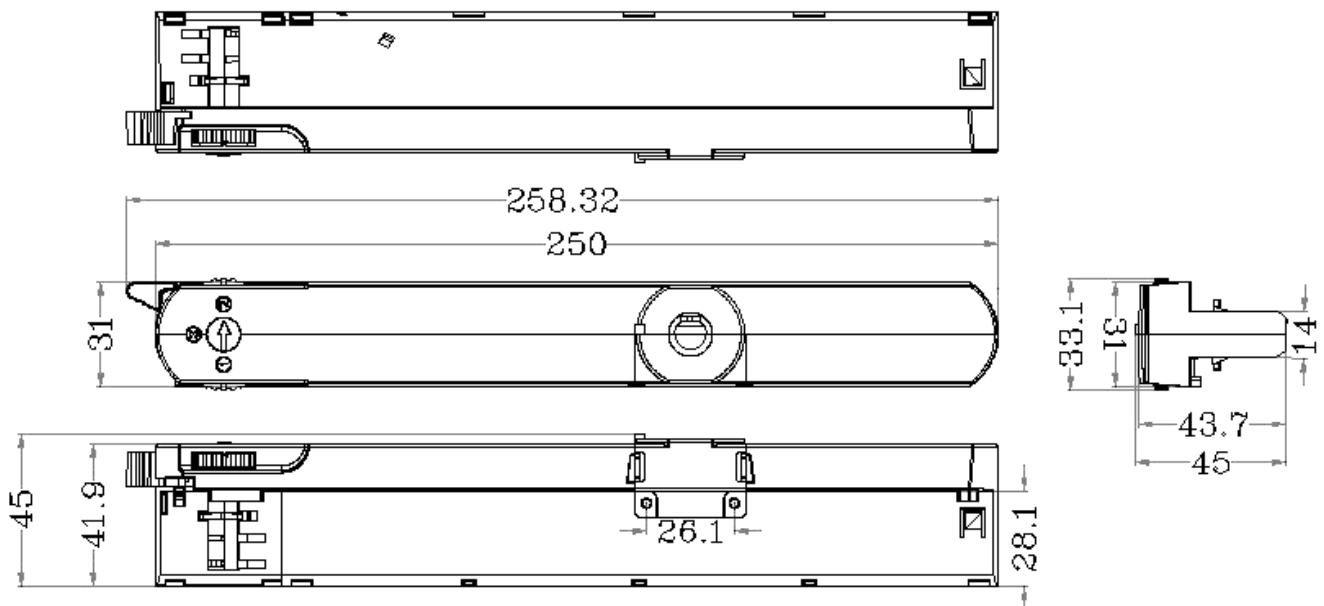
tc ●
Tc:85°C
Ta:35°C

0.5-1.5
8-9mm

SEC
-
+
1 2 3 4 OFF

Pout	Iout	1	2	3	4	Pout	Iout	1	2	3	4
13W	300mA	-	-	-	-	29W	700mA	ON	-	-	-
15W	350mA	-	-	-	ON	32W	750mA	ON	-	-	ON
17W	400mA	-	-	ON	-	34W	800mA	ON	-	ON	-
19W	450mA	-	-	ON	ON	34W	850mA	ON	-	ON	ON
21W	500mA	-	ON	-	-	36W	900mA	ON	ON	-	-
23W	550mA	-	ON	-	ON	38W	950mA	ON	ON	-	ON
25W	600mA	-	ON	ON	-	40W	1000mA	ON	ON	ON	-
27W	650mA	-	ON	ON	ON	42W	1050mA	ON	ON	ON	ON

4. Dimension (Unit: mm)



5. Packing information

Carton L*W*H(mm)	Pcs/Carton	Net weight/ Pcs(kg)	Net weight/ Carton(kg)	Gross weight / Carton(kg)
515*274*370	90	0.15	11.25	13.85

6. Wiring Diagram

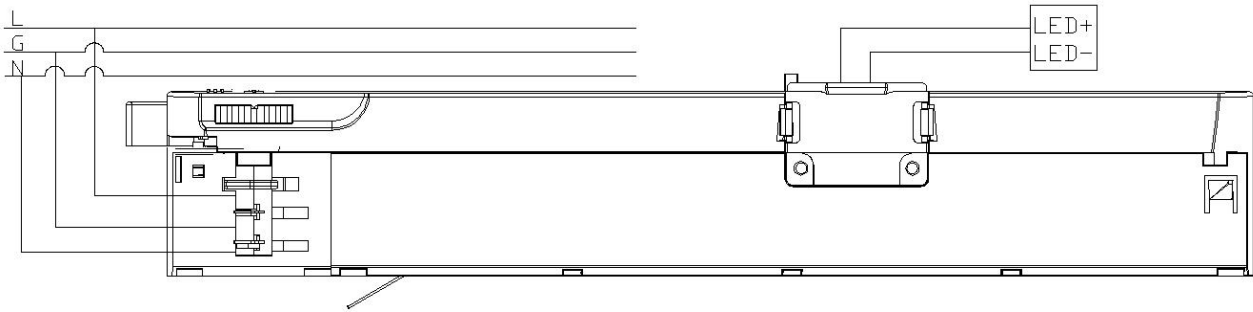


Fig. A:SC42W300-1050CG-4