

PHILIPS

Fortimo

LED

Fortimo LEDFlex
connectors G1



Datasheet

Fortimo LEDFlex system

Thanks to a range of accessories, the Fortimo LEDFlex accessories offer toolless handling and connection.
Note: All connector wire cross sections are AWG20 for true system proposition

May 2019

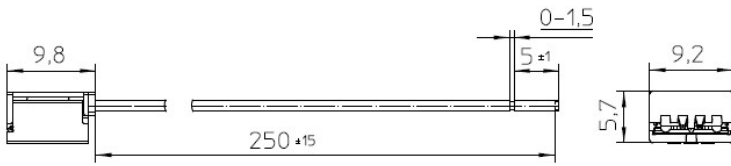
Ordering data

Commercial product name	EOC	12NC	Box quantity
Fortimo LEDFlex connector wire250mm-PCB	8718699 666446 00	9290 014 95880	20
Fortimo LEDFlex connector wire500mm-PCB	8718699 666460 00	9290 014 95980	20
Fortimo LEDFlex connector wire2000mm-PCB	8718699 666484 00	9290 014 96080	10
Fortimo LEDFlex connector PCB-PCB	8718699 666507 00	9290 014 96180	25
Fortimo LEDFlex cornerconnect wire60mm	8718699 667542 00	9290 014 96280	20
Fortimo LEDFlex cornerconnect wire150mm	8718699 667566 00	9290 014 96380	10

Mechanical characteristics

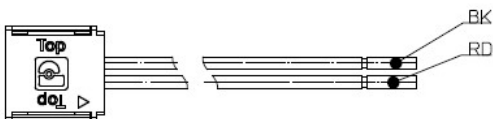
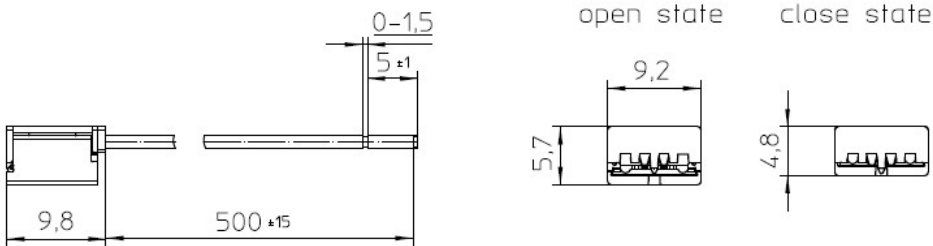
Fortimo LEDFlex connector wire250mm-PCB

Parameter	Min	Typ	Max	Unit
Product mass		13.9		gram



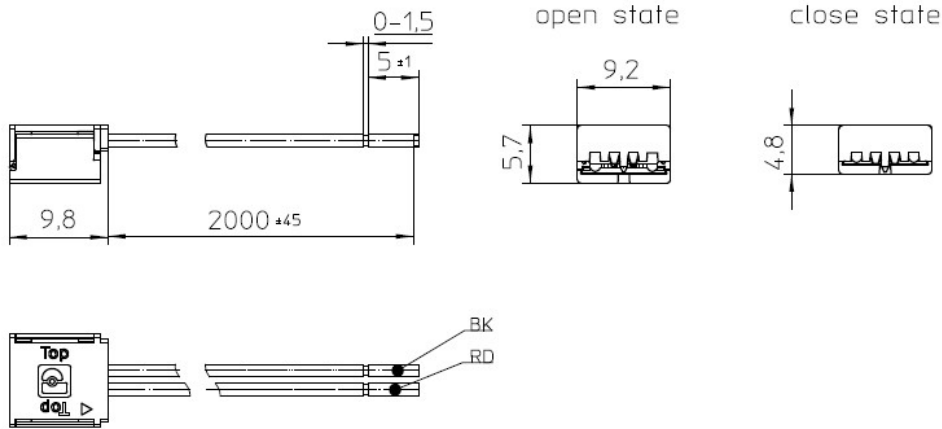
Fortimo LEDFlex connector wire500mm-PCB

Parameter	Min	Typ	Max	Unit
Product mass		17.3		gram



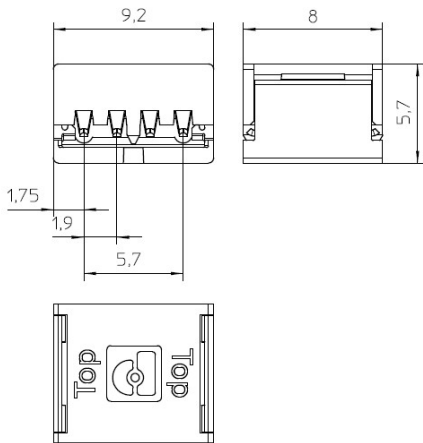
Fortimo LEDFlex connector wire2000mm-PCB

Parameter	Min	Typ	Max	Unit
Product mass		74.4		gram



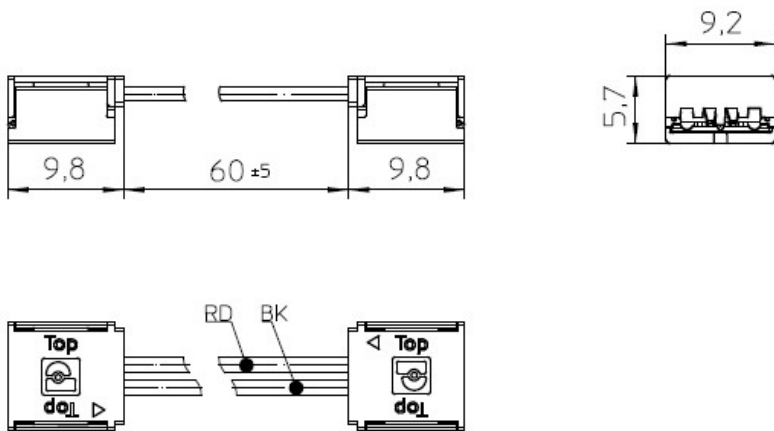
Fortimo LEDFlex connector PCB-PCB

Parameter	Min	Typ	Max	Unit
Product mass		1.7		gram



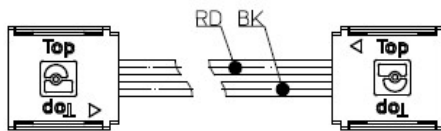
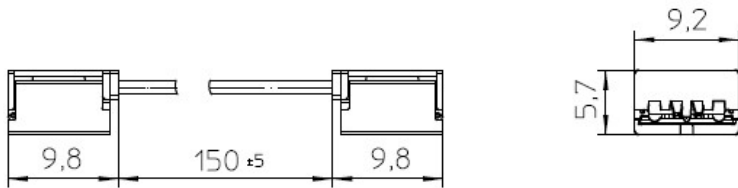
Fortimo LEDFlex cornerconnect wire60mm

Parameter	Min	Typ	Max	Unit
Product mass		11.8		gram



Fortimo LEDFlex cornerconnect wire150mm

Parameter	Min	Typ	Max	Unit
Product mass		23		gram



Absolute ratings

Parameter	Min	Max	Unit
Current (I-max)		5000	mA
Working voltage		25	V _{dc}
Ambient temperature	-20	50	°C
Storage temperature	-30	85	°C

Application information

Certificates and Standards

CE

Connectors are certified together with Fortimo LEDFlex G1 family for:

CB

ENEC

cRUus

CQC



© 2019 Signify Holding, IBRS 10461, 5600VB, NL. All rights reserved. The information provided herein is subject to change, without notice. Signify does not give any representation or warranty as to the accuracy or completeness of the information included herein and shall not be liable for any action in reliance thereon. The information presented in this document is not intended as any commercial offer and does not form part of any quotation or contract, unless otherwise agreed by Signify.

www.philips.com/oem

Philips and the Philips Shield Emblem are registered trademarks of Koninklijke Philips N.V. All other trademarks are owned by Signify Holding or their respective owners.

15/05/2019